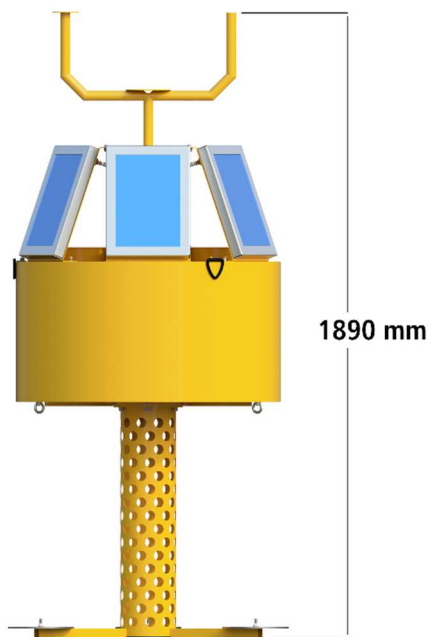




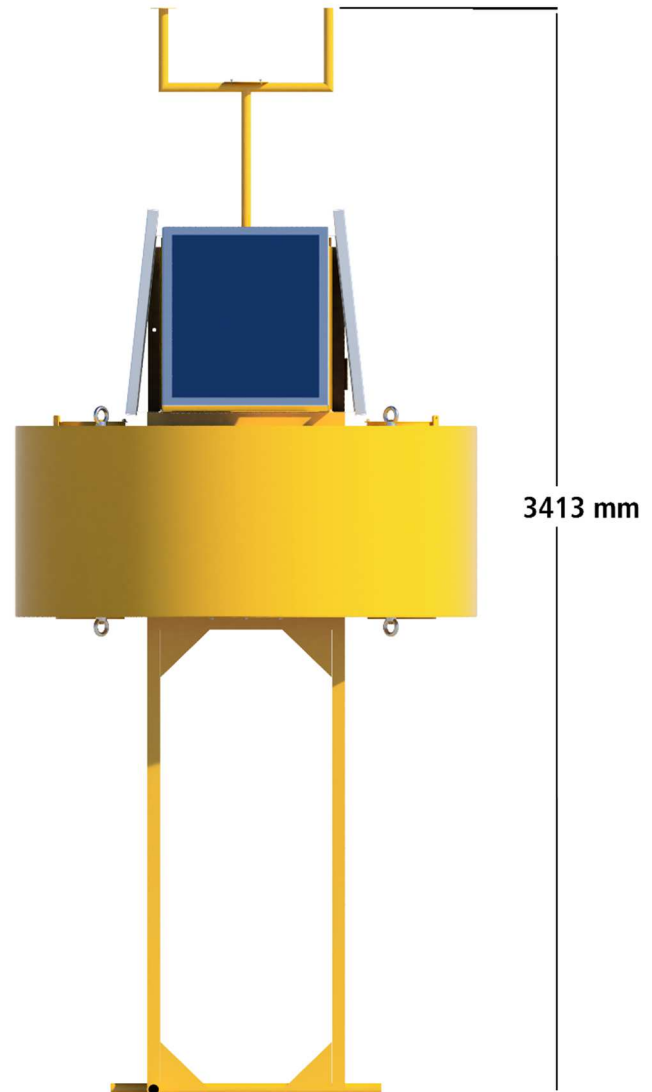
ecoTech measuring buoys are specially by us designed buoys for use in estuaries and lakes/reservoirs of all sizes. These can be equipped with a wide variety of measuring devices and work as self-sufficient measuring stations.

Possible sensors such as pyranometers, temperature measuring chains, multi-parameter probes or weather stations enable comprehensive monitoring. There is even space for the ecoTech "Water Quality Profiler" on the "Bodensee" type buoy.

The range of ecoTech measuring buoys offers the right solution for every application.



[Type Midi](#)



[Type Bodensee](#)

ecoTech measuring buoy		Type Midi	Type Bodensee
Outer diameter	mm	800	1400
Height body	mm	425	600
Height antenna	mm	750	1300
Number of containers	Pcs.	3	3
Diameter of containers	mm	200	200
Height of containers	mm	475	600
Diameter sonde pipe	mm	180	330
Weight	kg	70	290
Buoyancy	kg	195	600
Solar panel capacity	W	30	90
Mooring attachments	Pcs.	1-3	1-4